

KJT Sensors - KJT-FSG31 Series

Laser Sensor -DC Power Supplies

KJT-FSG131-Z**T34-V2



- Performance more steady due to specialized IC
- Housing material : ABS
- Sensing distance Sn (m) :30m
- Reflection mode:Diffuse
- Power supply range: 10-36VDC
- Protection degree : IP67 (IEC)
- Provide customized service

Technical parameter

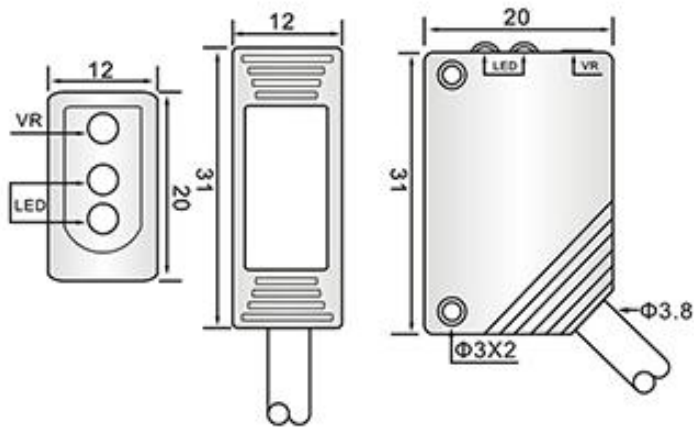
| | |
|-----------------------------------|-----------------------|
| Size | 31*22*11mm |
| Reflection mode | Through beam |
| Sensing Distance SN [m] | 30m |
| Housing material | ABS |
| Operating voltage | 10-36VDC |
| Switching Hysteresis | <15% |
| Light source | Infrared light(660nm) |
| Max Current Output | 150mA |
| No Load Current | <10mA |
| Voltage Drop | <1.5V |
| Leakage Current | <0.01mA |
| Frequency | 100Hz |
| Response Time | 5ms |
| Short Circuit Protection | YES |
| Overload current protection point | 180mA |
| Operating Temperature | 0-55℃ |
| Ambient Humidity | 35-85%RH |
| Protection Degree | IP65 |
| Temperature drift | <10%(Sr) |
| Connection | PVC cable 2m |

KJT Sensors - KJT-FSG31 Series

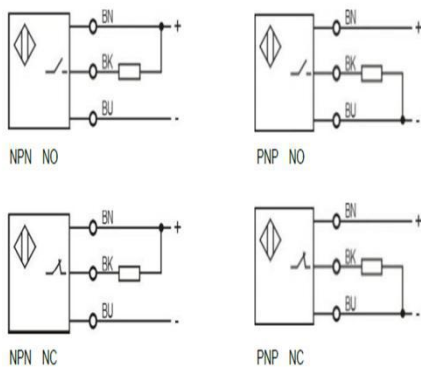
Laser Sensor - DC Power Supplies

KJT-FSG131-Z**T34-V2

Dimension drawing



Connection diagram



KJT Sensors - KJT-FSG31 Series

Laser Sensor - DC Power Supplies

KJT-FSG131-Z**T34-V2

| Model/Order Number | |
|--------------------------------|----------------------|
| Sn 30m DC 3 wire 10-36V PNP NO | KJT-FSG131-ZPKT34-V2 |
| Sn 30m DC 3 wire 10-36V PNP NC | KJT-FSG131-ZPHT34-V2 |
| Sn 30m DC 3 wire 10-36V NPN NO | KJT-FSG131-ZNKT34-V2 |
| Sn 30m DC 3 wire 10-36V NPN NC | KJT-FSG131-ZNHT34-V2 |